



**SPAURA45**

Design by Manuel Vivian

Collection consisting of wall lamps, ceiling lamps and suspended lamps with double-layered coloured Murano glass hand twisted pendants. Available in several colours and sizes. Screw fitting light source.

Typology: SUSPENDED LAMP

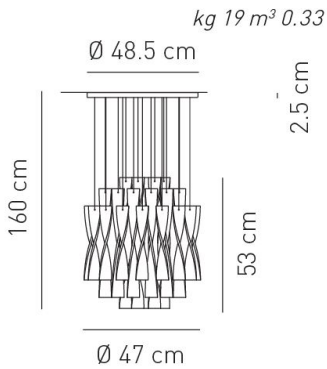
**Ratings**

- E27
- Surface installation over holes
- Supply voltage ~220-240V
- Switch mode: on-off
- Steel canopy

Product code composition

**AURA**

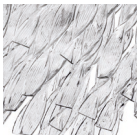
Type	Article	Colours	Finish	Source
SP	AURA 45	CS "rigadin" crystal BC white RS red TA tea	CR chrome	E27 1 x Max 27W LED or 1 x Max 150W halogen



IP20 **+LED** 220-240V<sub>AC</sub>

example composition code SP AURA45 BC CR E27

Available colors



CS  
"Rigadin"  
crystal



BC  
White



RS  
Red



TA  
Tea



CR  
Chrome

EELc (Energy Efficiency Label compatibility): E, D, C, B, A, A+

CUSTOMER \_\_\_\_\_ NOTES \_\_\_\_\_

SPAURA45\_\_E27

\_\_\_\_\_

NOTICE: Luminous flux (lm) and efficacy (lm/W) for all LED luminaires is estimated based on nominal ratings of the LED sources. Technical data could be subject to alteration without notice. Axo Light does not provide legal guarantee for the accuracy of this data sheet.